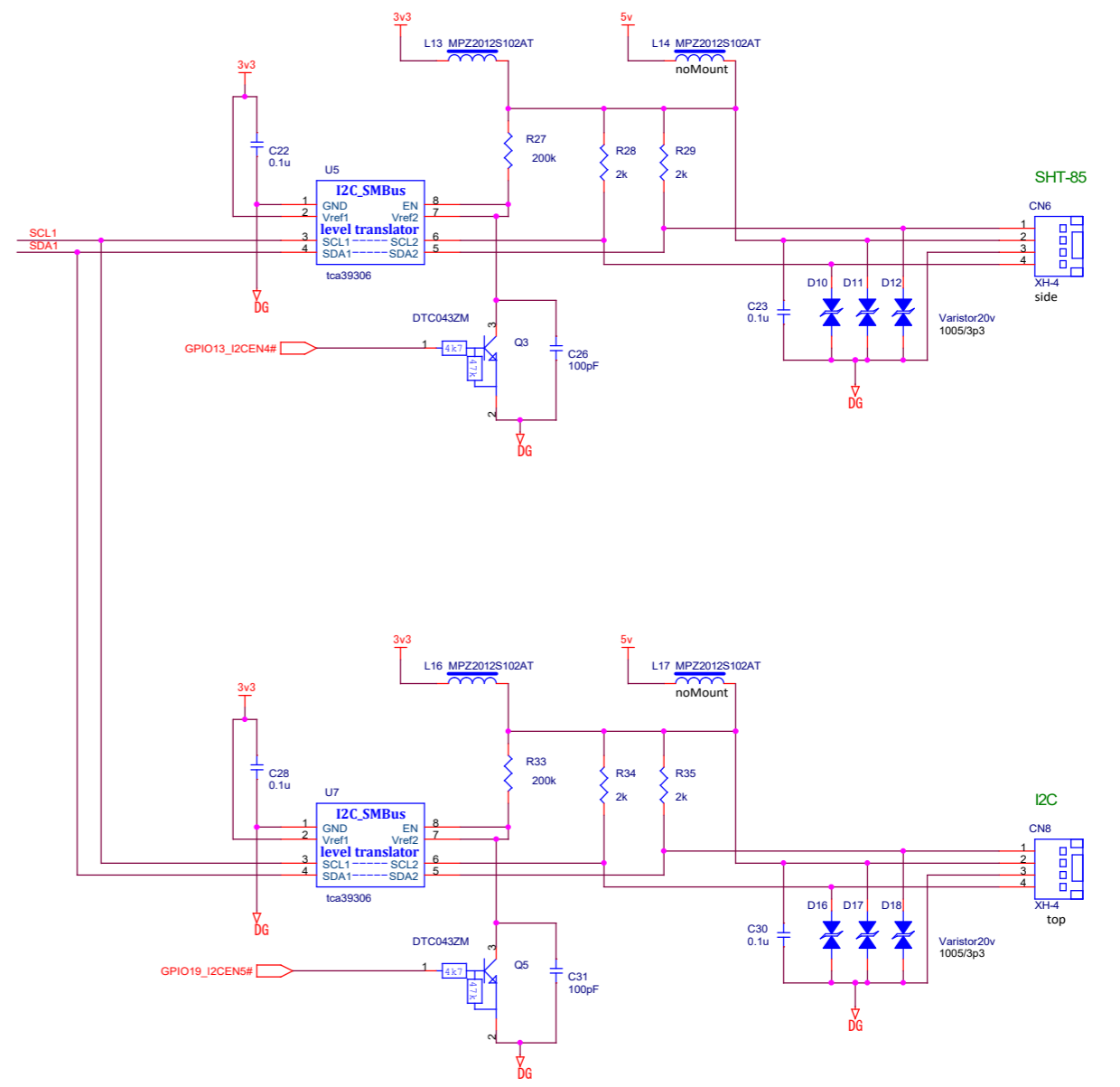
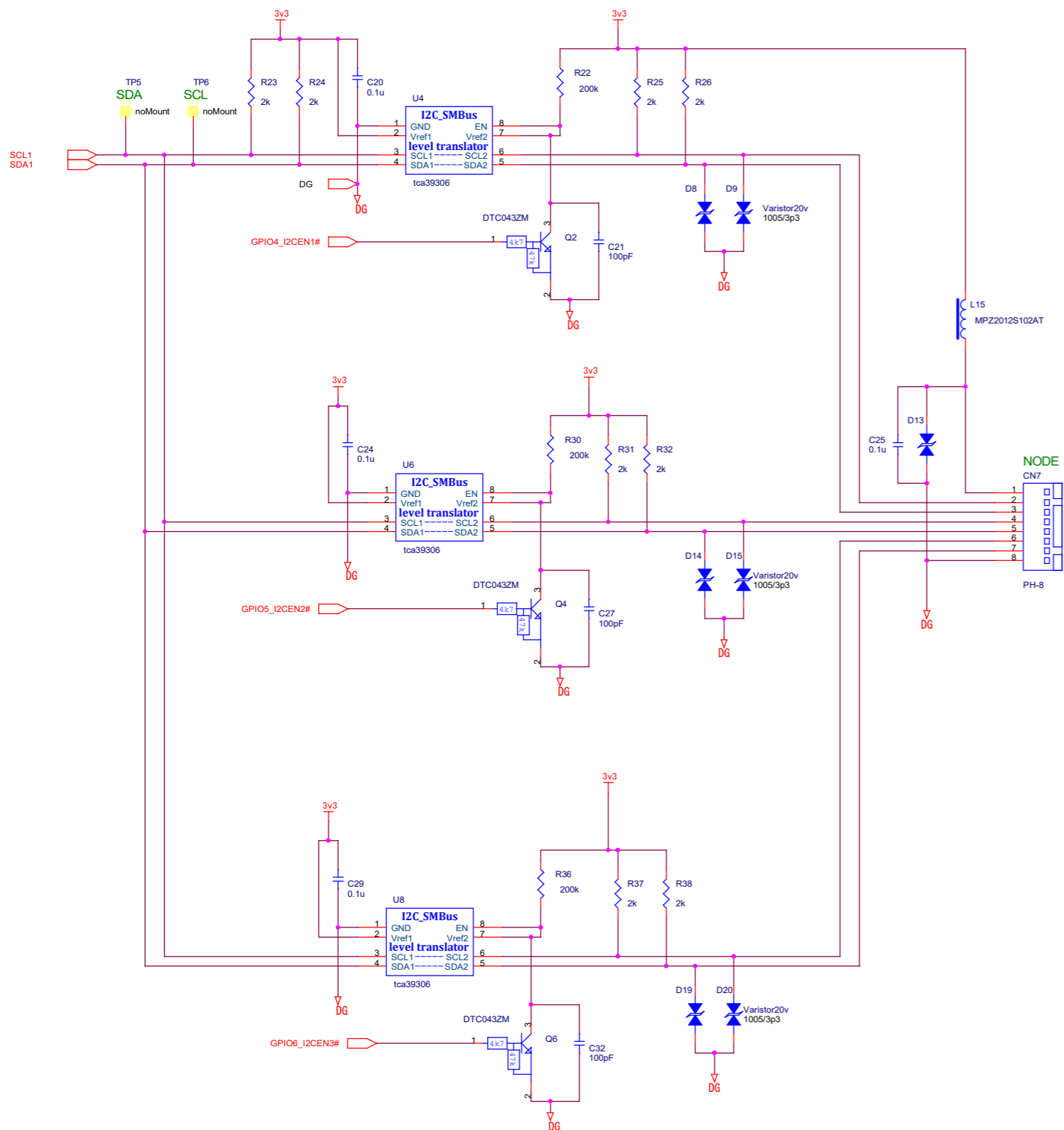
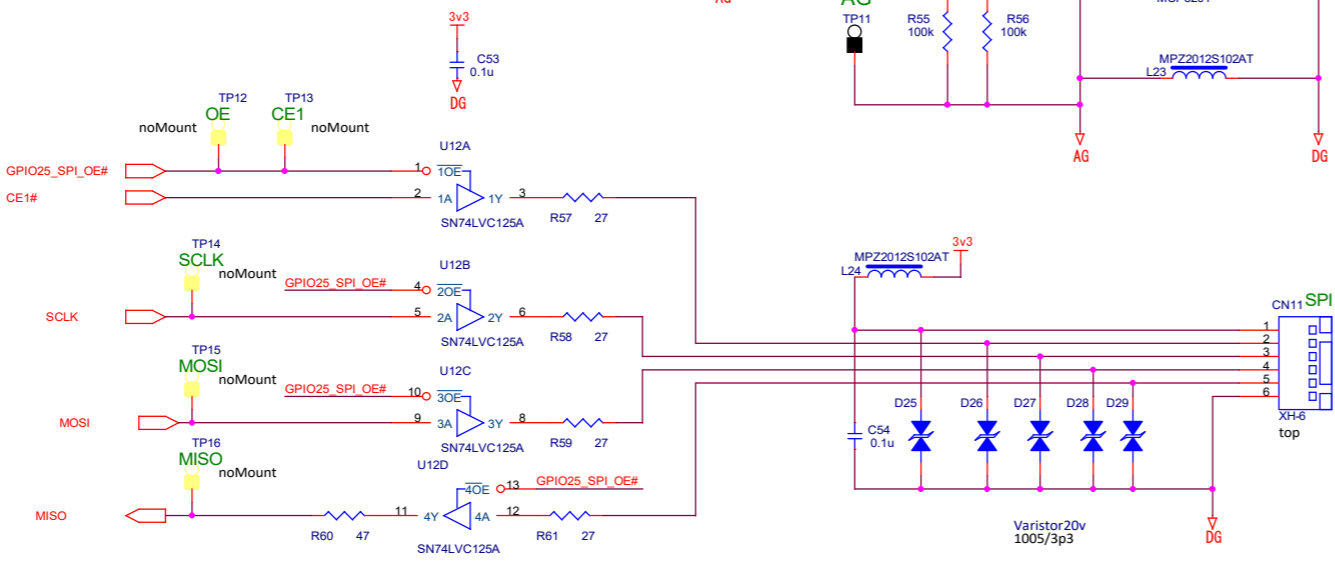
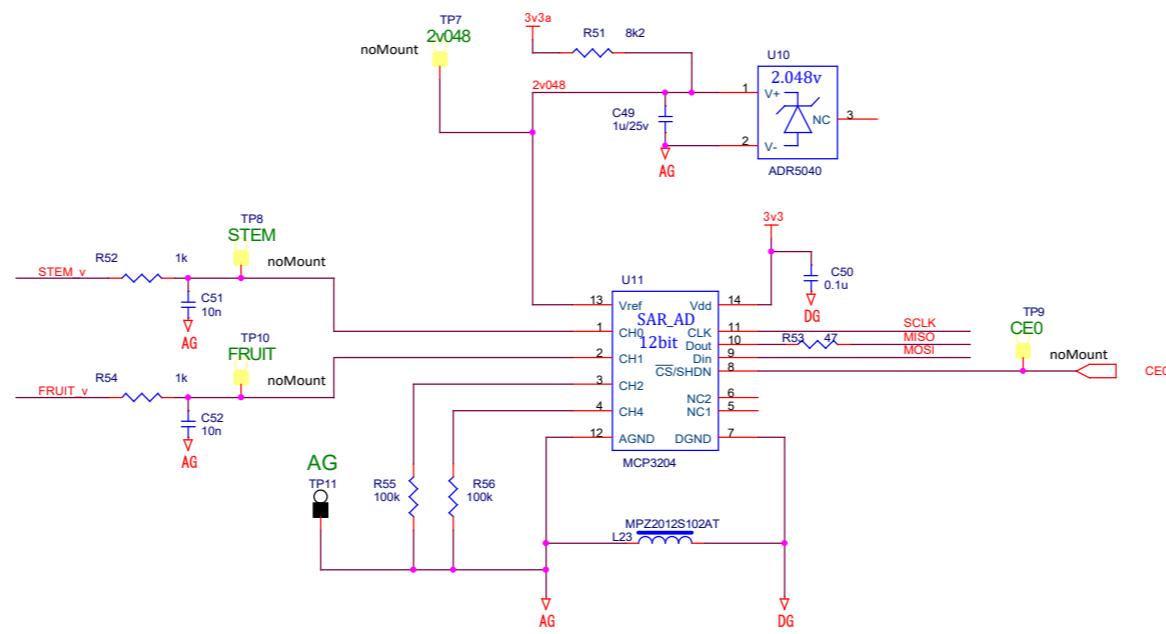
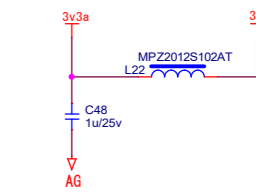
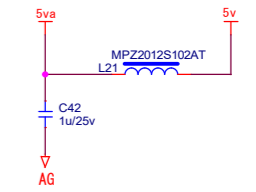
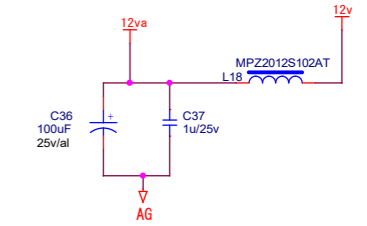
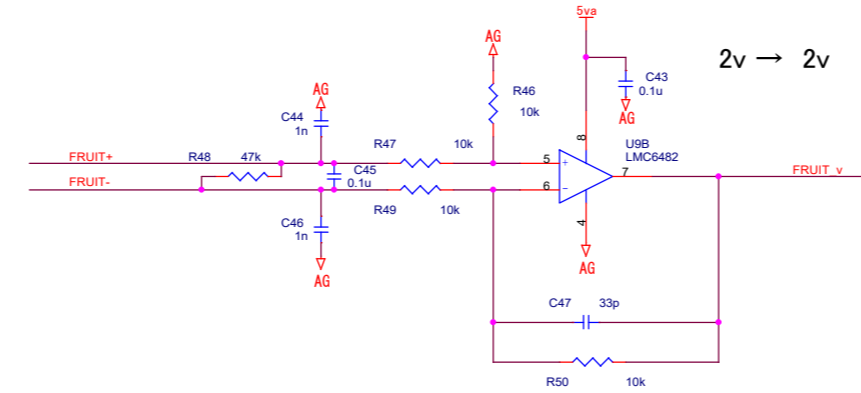
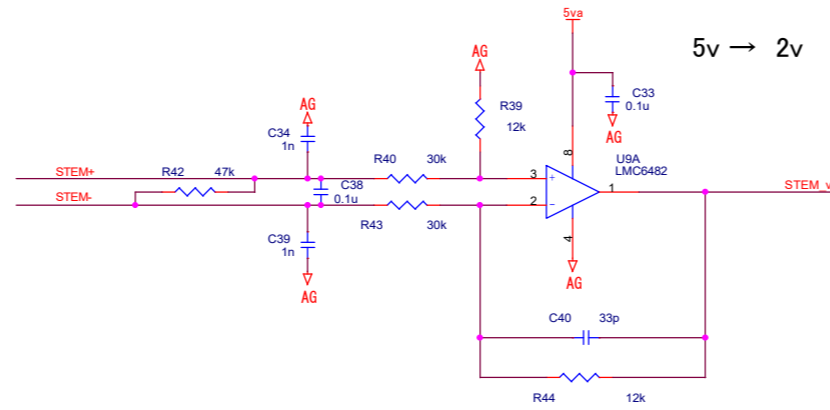
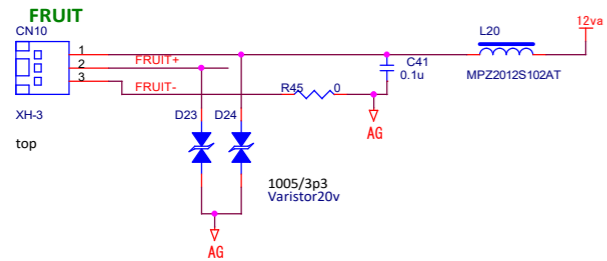
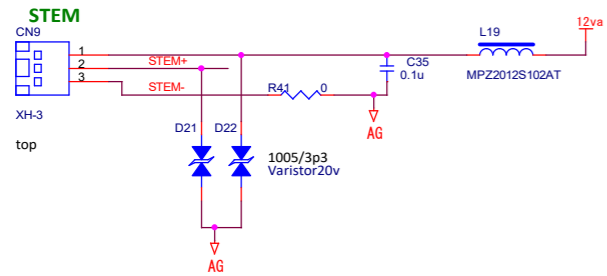


APPROVAL	CHECK	DESIGN	DRAWN	PASSCON		
				TITLE		
PiNode3		RasPI_Power				
PCB No	UNIT CODE	DOCUMENT No				
<OrgAddr1>	<OrgAddr2>	<Doc>				
DATE OF ISSUE :			Wednesday, March 27, 2024	Sheet	1 of 4	



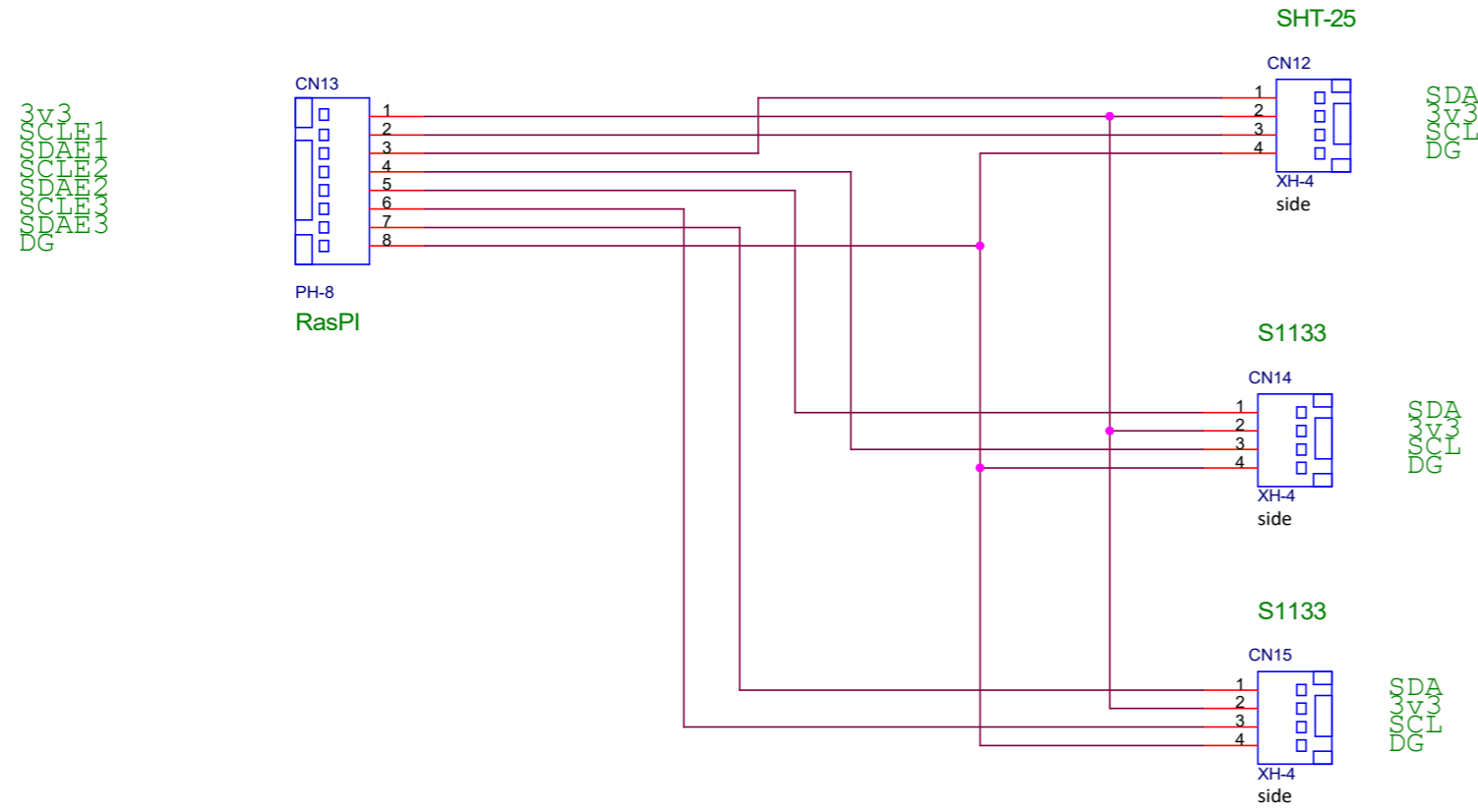
D0
 D1
 D2
 D3
 D4
 D5
 D6
 D7
 D8
 D9
 D10
 D11
 D12
 D13
 D14
 D15
 D16
 D17
 D18
 D19
 D20

APPROVAL	CHECK	DESIGN	DRAWN	PASSCON		
				T I T L E		
				PiNode3	I2C	
				PCB No	UNIT CODE	DOCUMENT No
				<OrgAddr1>	<OrgAddr2>	<Doc>
				DATE OF ISSUE : Wednesday, March 27, 2024	Sheet	2 of 4



APPROVAL	CHECK	DESIGN	DRAWN	PASSCON		
				TITLE		
				PiNode3	AD_SPI	
				PCB No	UNIT CODE	DOCUMENT No
				<OrgAddr1>	<OrgAddr2>	<Doc>
				DATE OF ISSUE :	Wednesday, March 27, 2024	Sheet 3 of 4

I2C分岐コネクタ基板



APPROVAL	CHECK	DESIGN	DRAWN	PASSCON		
				TITLE		
				PiNode3	EX_CN	
				PCB No	UNIT CODE	DOCUMENT No
				<OrgAddr1>	<OrgAddr2>	<Doc>
				DATE OF ISSUE :	Wednesday, March 27, 2024	Sheet 4 of 4