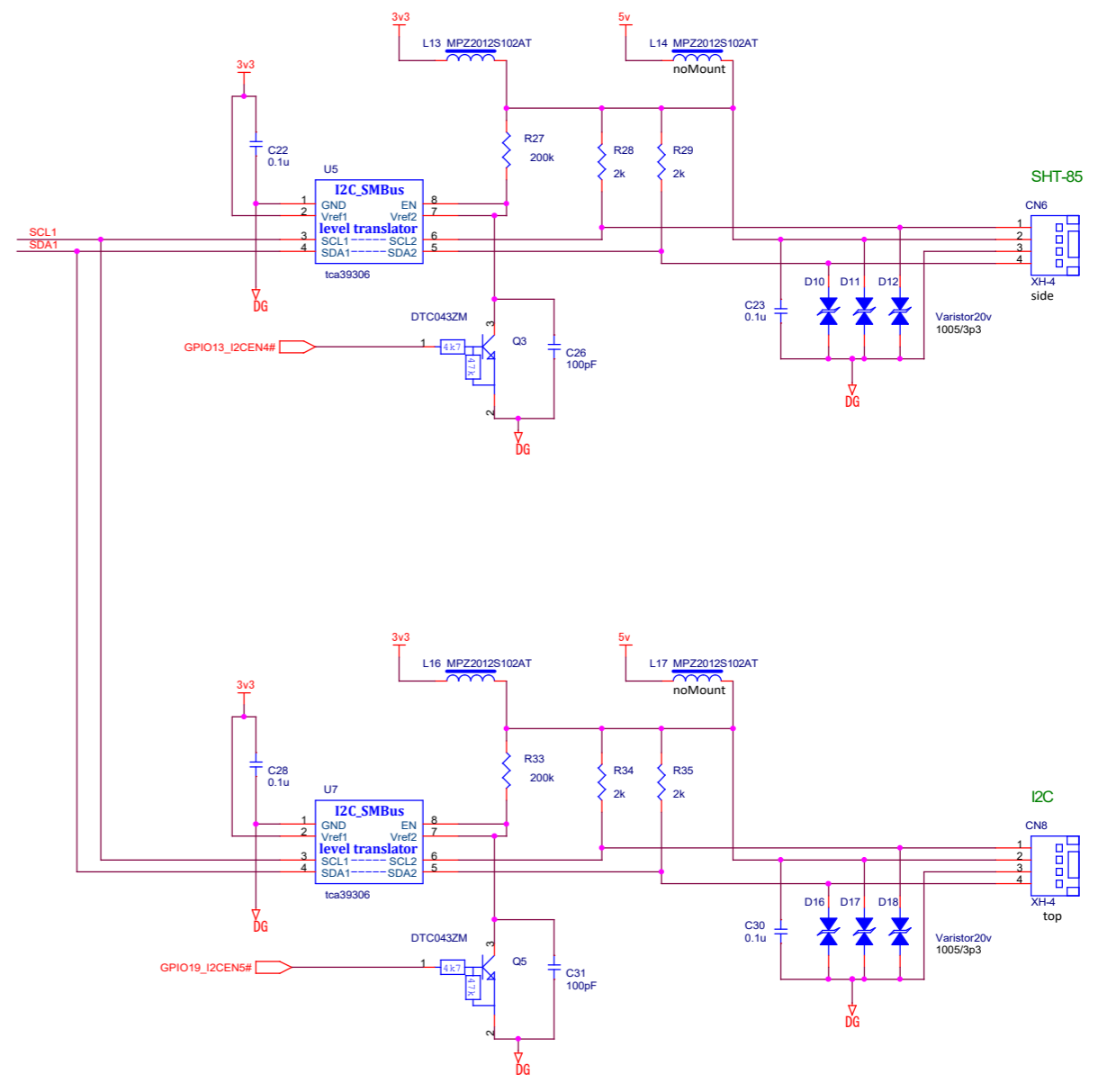
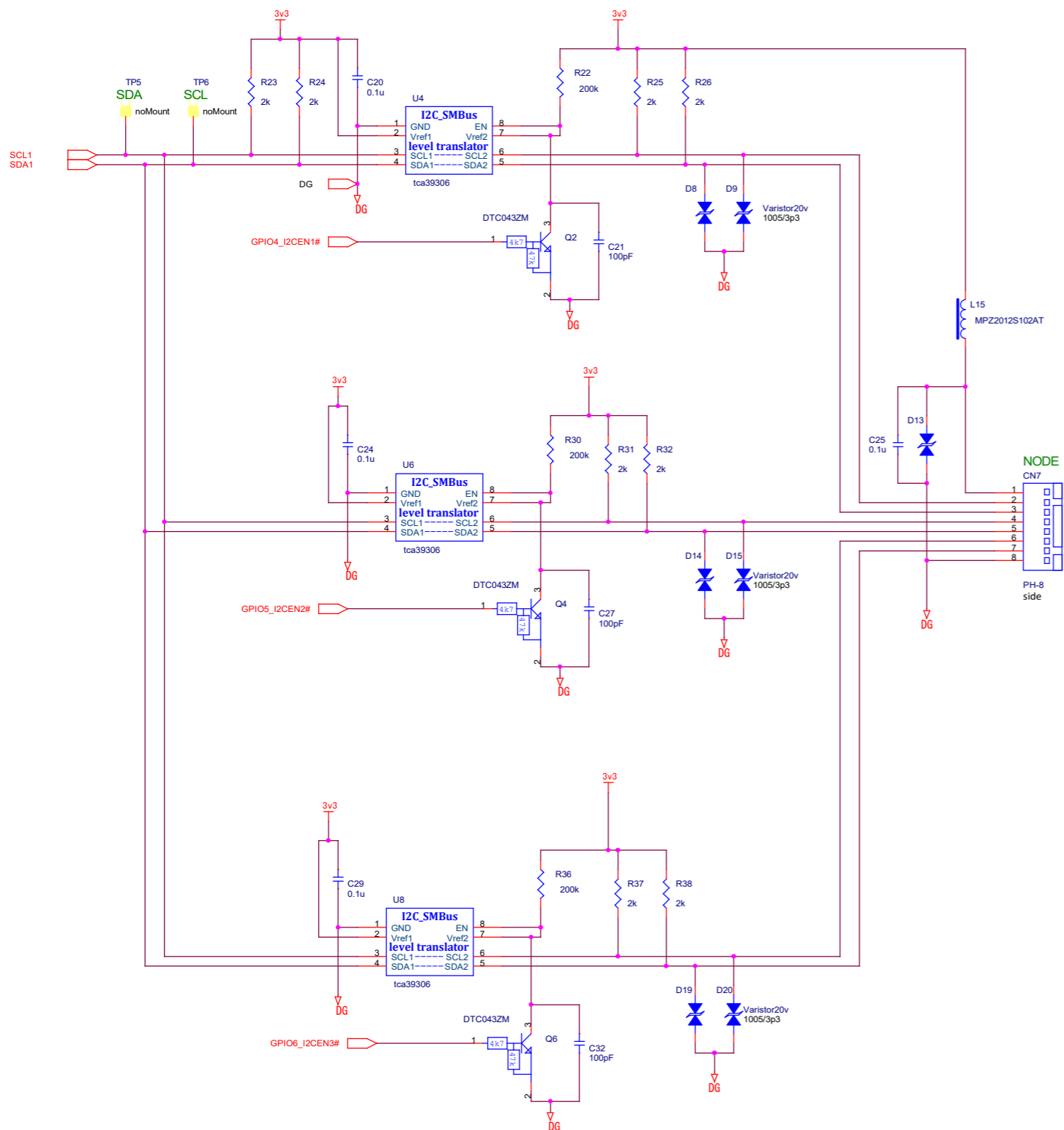
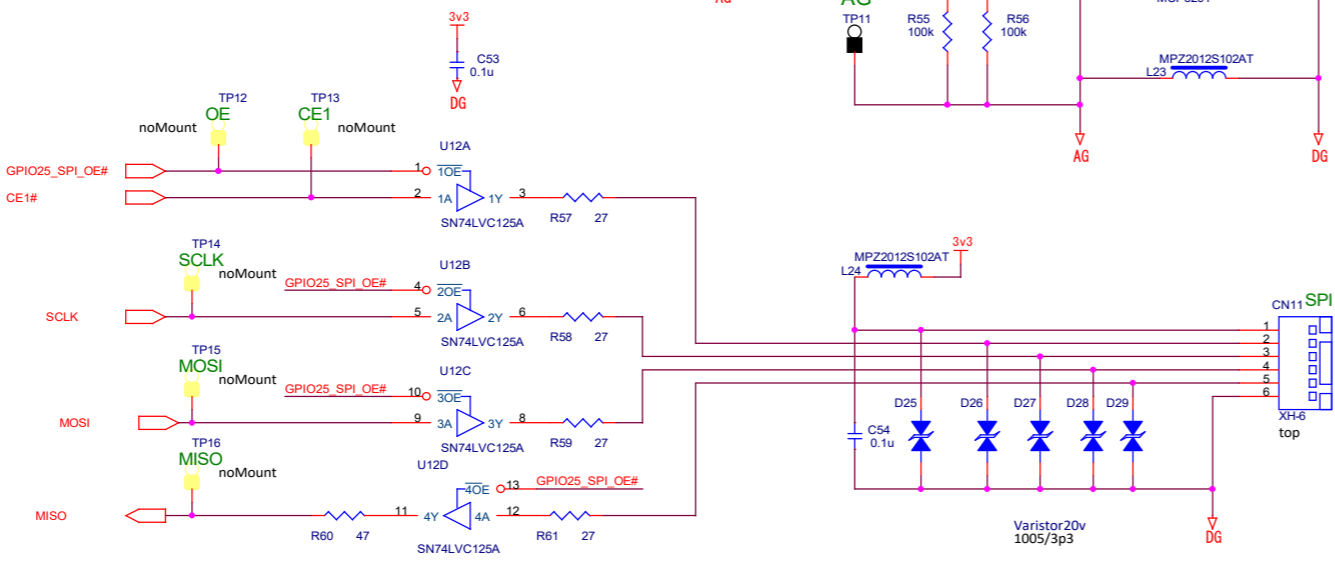
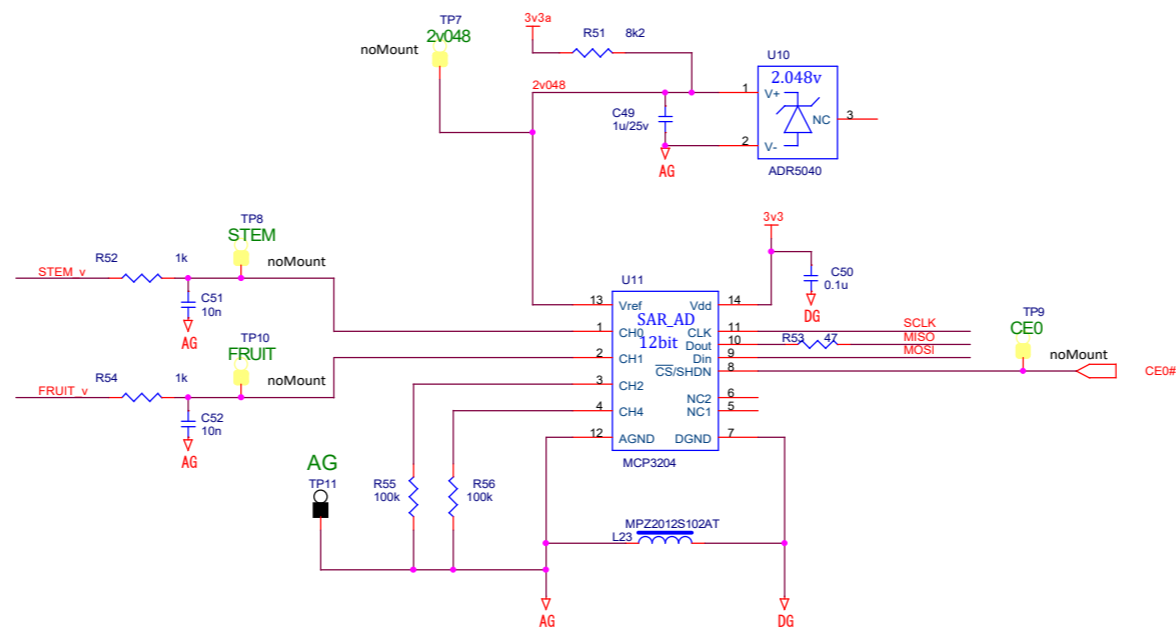
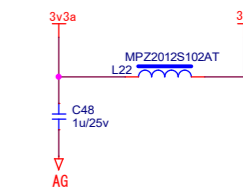
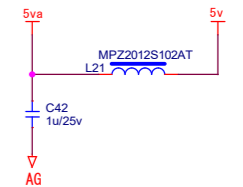
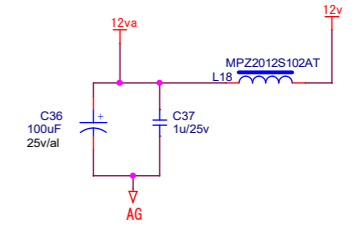
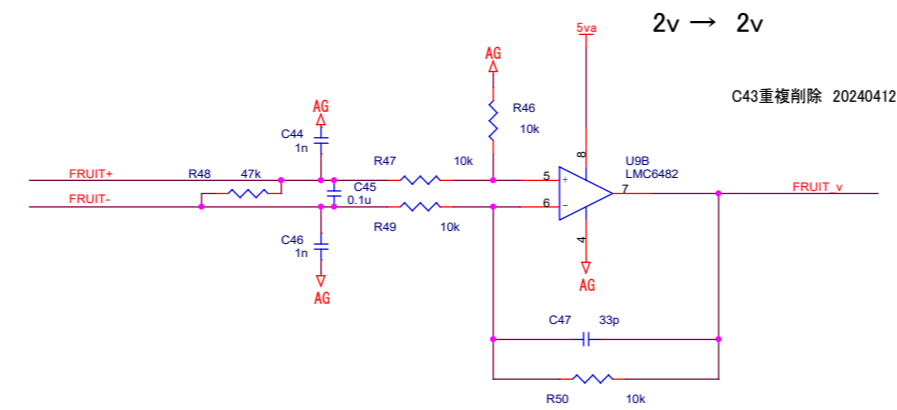
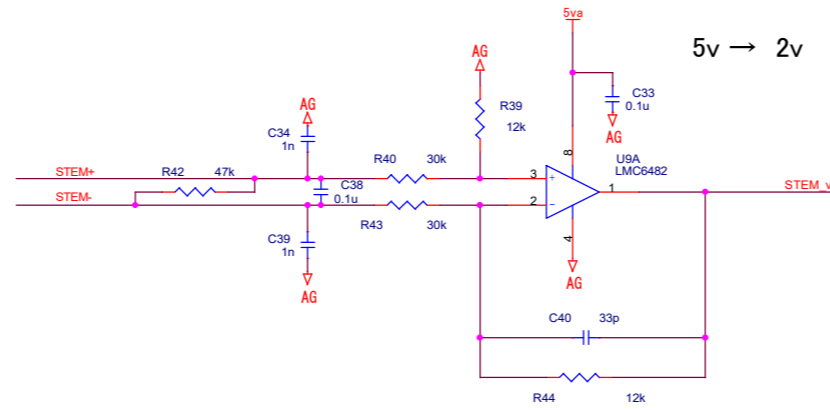
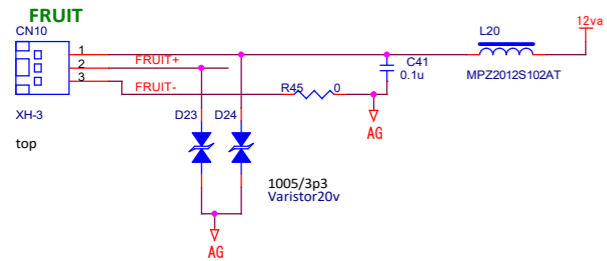
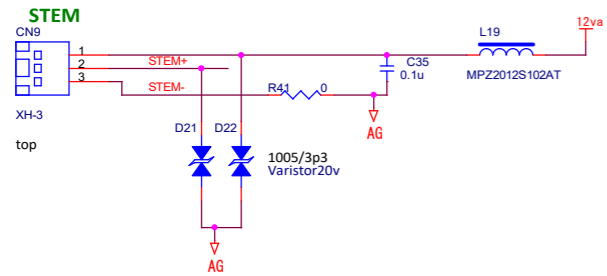


APPROVAL	CHECK	DESIGN	DRAWN	FieldMarker		
				TITLE		
				PiNode3	RasPI_Power	
				PCB No	UNIT CODE	DOCUMENT No
				<OrgAddr1>	<OrgAddr2>	<Doc>
				DATE OF ISSUE : Friday, April 12, 2024	Sheet 1 of 3	



D0
 D1
 D2
 D3
 D4
 D5
 D6
 D7
 D8
 D9
 D10
 D11
 D12
 D13
 D14
 D15
 D16
 D17
 D18
 D19
 D20

APPROVAL	CHECK	DESIGN	DRAWN	FieldMarker		
				TITLE		
				PiNode3	I2C	
				PCB No	UNIT CODE	DOCUMENT No
				<OrgAddr1>	<OrgAddr2>	<Doc>
				DATE OF ISSUE :	Friday, April 12, 2024	Sheet 2 of 3



APPROVAL	CHECK	DESIGN	DRAWN	FieldMarker		
				TITLE		
				PiNode3	AD_SPI	
				PCB No	UNIT CODE	DOCUMENT No
				<OrgAddr1>	<OrgAddr2>	<Doc>
				DATE OF ISSUE :	Friday, April 12, 2024	Sheet 3 of 3